

# WEDNESDAY, OCTOBER 25th

Time	Palo Verde I Bldg B (150)	Palo Verde II Bldg B (150)	Palo Verde III Bldg B (150)	Theater Bldg B (100)	Cholla I&II Bldg B (50)	Boadroom Bldg B (20)
10:00am-1:00pm	County Librarian's Meeting (Building B: Palo Verde I)					
10:00am-12:30pm	Business Meetings					
10:00am-11:00am		Horner Fellowship Committee & International Interest Group Meetings	Marketing & Advocacy/Member ship Committee Meeting	E-Resources Interest Group Meeting	Special Libraries Division Meeting	Web & Social Networking Committee Meeting
11:00am-12:30pm		Public Library Division Meeting			Escaping the Norm: Library Escape Room Programs	Keep Your Money in 'The Family'
12:30pm-2:00pm	Lunch On Your Own					
2:15pm-3:00pm	AzLA Business Meeting & Legislative Update (Building B: Theater)					
	Mesa Main Library Tour (Mesa Room [Local History/Escape Room] Tour of new TS/library reno)					
3:15pm-4:15pm	Graphic Novel Power Hour	Do You CARE?: Libraries as Partner Organizations on Arizona's Military/Veteran Resource Network	Access to Justice at the Library: Helping Patrons Connect with Legal Information	IFLA Library Reference Model	Tools for Transformation: Key Elements for Building Library Programs	Dinosaurs didn't read and now they are extinct! Displays that get those library users through the door
4:25pm -5:25pm	ALYAS Interest Group Meeting	Let It Go! Identify Traditions that Choke Customer Satisfaction and Staff Productivity	Using Open Textbooks to Transform Student Learning	Metadata: Preventing a Digital Junk Drawer	Interact for Impact	Bullet Journaling 101: An Analog System for the Digital Age
5:25pm-7:00pm	AzLA Happy Hour @ Desert Eagle Brewery (150 W Main St, Mesa, AZ 85201)					
	Library Marketing, Outreach and Advocacy	Children and YA	Leadership and Staff Development	User Services	Information Literacy & Teaching	Technology and Tech Services

# THURSDAY, OCTOBER 26th

Time	Main Hall Bldg C (928)	Exhibit Hall Bldg C	Apache Bldg A (140)	stition North Bldg A (336)	rstition South Bldg A (132)	Palo Verde I Bldg B (150)	Palo Verde II Bldg B (150)	'alo Verde III Bldg B (150)	Theater Bldg B (100)	Boardroom Bldg B (20)	Cholla I&II Bldg B (50)	
8:00am –4:50pm	Registration Open											
8:00am-8:45pm	Continental Breakfast in Main Hall/Exhibit Hall Open											
8:45am-9:45am	Opening Keynote: "Change the Questions, Change the World" - Hildy Gottlieb (Main Hall)											
10:00am-10:30pm	Poster Sessions (Exhibit Hall: Bldg C)											
10:00 am - 12pm	Resume Review Clinic - Exhibit Hall											
10:30am-11:30am Program Sessions			Cryptoparty Like It's 1999: Privacy Programming for Patrons [RT]	Keynote Presentation	Leadership Development for Libraries in Dynamic Times: Creating Culture that Embraces Change Through Innovation	Grand Canyon Reader: Teen Edition	Libraries as a Catalyst for Rural Community Transformation through STEM	Don't Be a Dream- Killer: Help Indie Authors Help You	Newspaper digitizing – Perils, Pitfalls and Perks	Seed Libraries Have Taken Root in Arizona: Sow Now What? [RT]	Sonja Stone, Laura Ellen, Amy K Nichols (YA)	
11:30am-11:55pm	CONquest Stops/Exhibit Hall/Author Book Signing											
12:00pm-1:30pm	One Book, One Conference Luncheon: Becky Masterman (Main Hall)											
1:30pm-2:00pm	CONquest Stops/Exhibit Hall/Author Book Signing											
2:00pm-3:00pm Program Sessions			Have Great Ideas for Your Library? Working on a Shoestring Budget? Write a Grant! [RT]	Effective Collaboration Between Friends, Boards and Staff to Promote and Fundraise for Your Library [RT]	Reach Across the Aisle for Partnerships that Transform Children's and Youth Services	ACADEMIC BLITZ Creating and maintaining a staff knowledge base via a FAQ  Going all in with embedded librarianship  Transforming Academic Library Services to Support Campus and Online Students with Centralized Virtual Library Services  Using Libguides to create point-of-need training sites online	PUBLIC BLITZ Veterans Heritage Project @ the Library  YA Summit Afterparty!  America in Times of Conflict: Collaborative Programming to Recognize the Service & Sacrifice of our Veterans  Being Inclusive: Access and Services for Customers with Disabilities	GENERAL BLITZ Transforming Courier and Delivery – Streamlining shipments using open source software  Reading at Your Fingertip  Precision medicine: What librarians need to know to assist their people!  Bringing Map Collections to Life: Geospatial Initiatives in Arizona Libraries	Because Your LSTA Projects Make a Difference!: A Conference Session Celebrating Best Program Practices	Technology Service Now: developing a data-driven staff training program to improve mobile and eMedia customer service	Tom Leveen (YA)	
3:00pm-3:30pm	CONquest Stops/Exhibit Hall/Author Book Signing											
3:30pm –4:30pm Program Sessions	OBOC Presentation		3 Easy Steps to Transform Your Volunteer Program: Best Practices in Recruiting, Engaging, and Retaining Skilled Volunteers in Public Libraries [RT]	TechTalk: Countywide Librarians Collaborating!	"If I Could Tell You One Thing": Dispatches from a Library Manager	Motivate and Create with Common Craft Videos	Fostering Educational Connections through existing Library Resources	Late Night Recess: How we transformed our library into a cool after hours spot for adults	Little Libraries – Big Barriers: How Collaboration and Determination helped us Overcome Obstacles and Achieve Success with our Micro- libraries Project		Stephanie Elliot, Kate Watson, Amy Dominy (YA)	
5:00pm-7:00pm	All Conference Reception: Hosted by the University of Arizona School of Information (Apache Room & Patio: Bldg A)											
			<b>TRACK LEGEND</b>									
			Library Marketing, Outreach and Advocacy	Children and YA	Leadership and Staff Development	User Services	Information Literacy & Teaching	Technology and Tech Services				

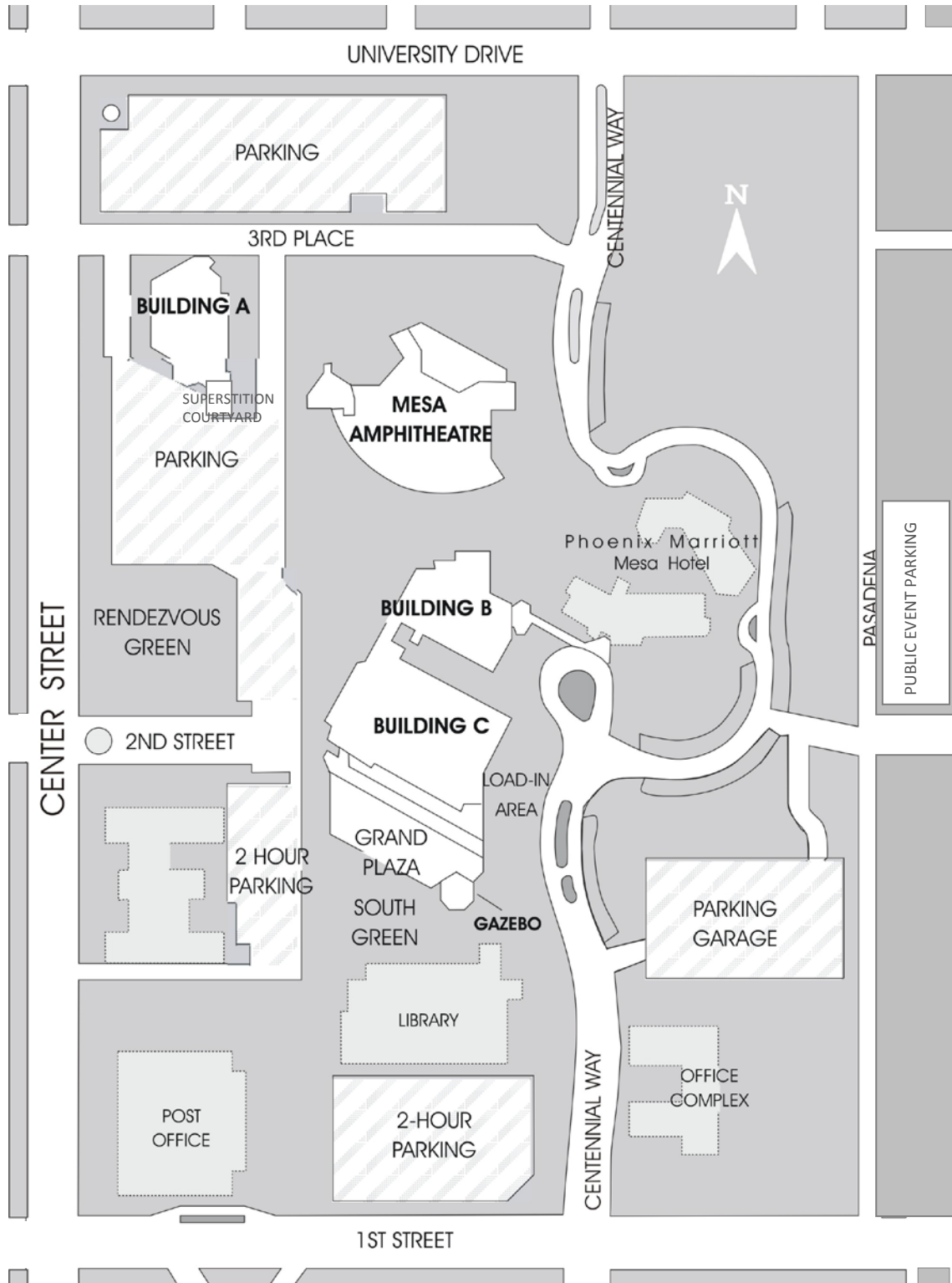
# FRIDAY, OCTOBER 27th

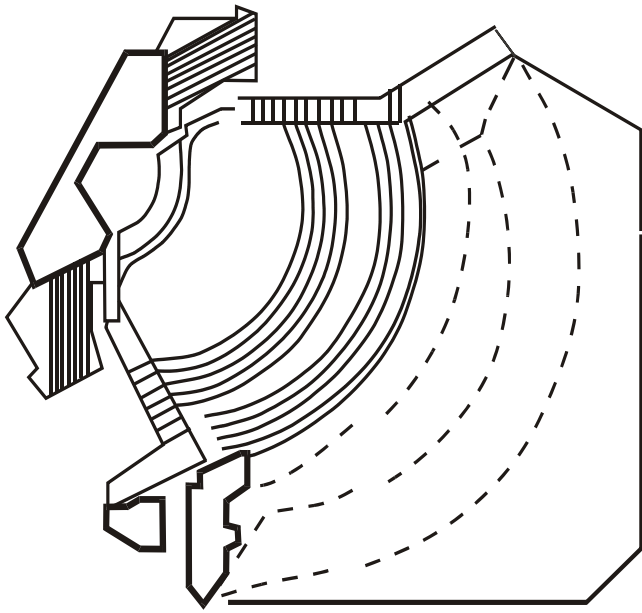
Time	Main Hall Bldg C (928)	Exhibit Hall Bldg C	Apache Bldg A (140)	Station North Bldg A (336)	Station South Bldg A (132)	Palo Verde I Bldg B (150)	Palo Verde II Bldg B (150)	Palo Verde III Bldg B (150)	Theater Bldg B (100)	Boardroom Bldg B (20)	Cholla I&II Bldg B (50)	
8:00am –4:50pm	Registration Open											
8:00am-8:30am	Continental Breakfast in Main Hall/Exhibit Hall Open											
8:30am-9:30am Program Sessions			Why Can't We Be Friends? Parks, Recreation, and Libraries Partnerships [RT]	Great Expectations: Transforming Library Customer Service [RT]	Teacher Librarian Division Meeting	Basic Conflict Management: A Mini-Workshop	Conflict as Opportunity: Library Restorative Practices for Youth	Cycling for Libraries, A Tour of Landscapes and Libraries: Drawing Inspiration from the Environment to Transform the Library	Mindfulness & More: Empowering Volunteers to Provide Transformational Wellness Programming		Amy Dominy, Lili DeBarbieri and CC Harrison	
9:40am-10:20am	Poster Sessions (Exhibit Hall: Bldg C)/Author Book Signing											
10:30am-11:30am Program Sessions			The State of Reference at Arizona Academic Libraries [RT]	Teen-Driven Programs: Dragons, Drones, and the Librarian Effect	Rocking the Small Screen: Video & Libraries	Leadership Blitz Trends and Best Practices in Library Workforce Development Programs  Mastering Metamorphosis; a brainstorming session to help transform your library.	Child/YA Blitz Murder in the Stacks: Teaching STEM Concepts and Problem Solving with Murder Mysteries  Because of you... libraries lead communities in creating an early literacy culture	Building a Winning Library Team with Transformational Leadership: Inspiring, Empowering, and Challenging Staff	Moving Library Instruction Into the 21st Century	General Blitz Native American Artists Resource Collection Online: Transforming the Heard Museum's Artists Files for the Web  Transforming Author Programming: Engage your Community with Writers in Residence  Supporting Digital Inclusion in Arizona at the State and Local Level  Top 10 Reasons To Partner for Programming	Adiba Nelson, James A Owen and Abigail Johnson (Against the Odds)	
11:45am-12:00pm	CONquest Stops (last chance to finish tasks and enter to win)/Visit Exhibit Hall/Author Book Signing											
12:00pm-2:00pm	AzLA Service & Author Awards Luncheon (Main Hall)											
2:20pm-3:00pm	Raffle/CONquest Winners Announced & Closing Remarks (Main Hall)											
4:00pm-5:00pm	State Archive Tour											
				<b>TRACK LEGEND</b>								
			Library Marketing, Outreach and Advocacy	Children and YA	Leadership and Staff Development	User Services	Information Literacy & Teaching	Technology and Tech Services				



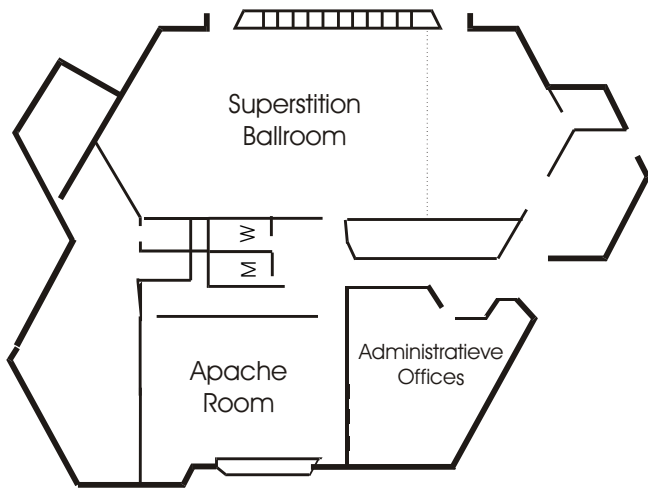
**Mesa Convention Center**  
**Mesa Amphitheatre**  
201 N. Center Street  
P.O. Box 1466  
Mesa, Arizona 85211-1466  
(480) 644-2178  
Meetings@mesaaz.gov

## Area View

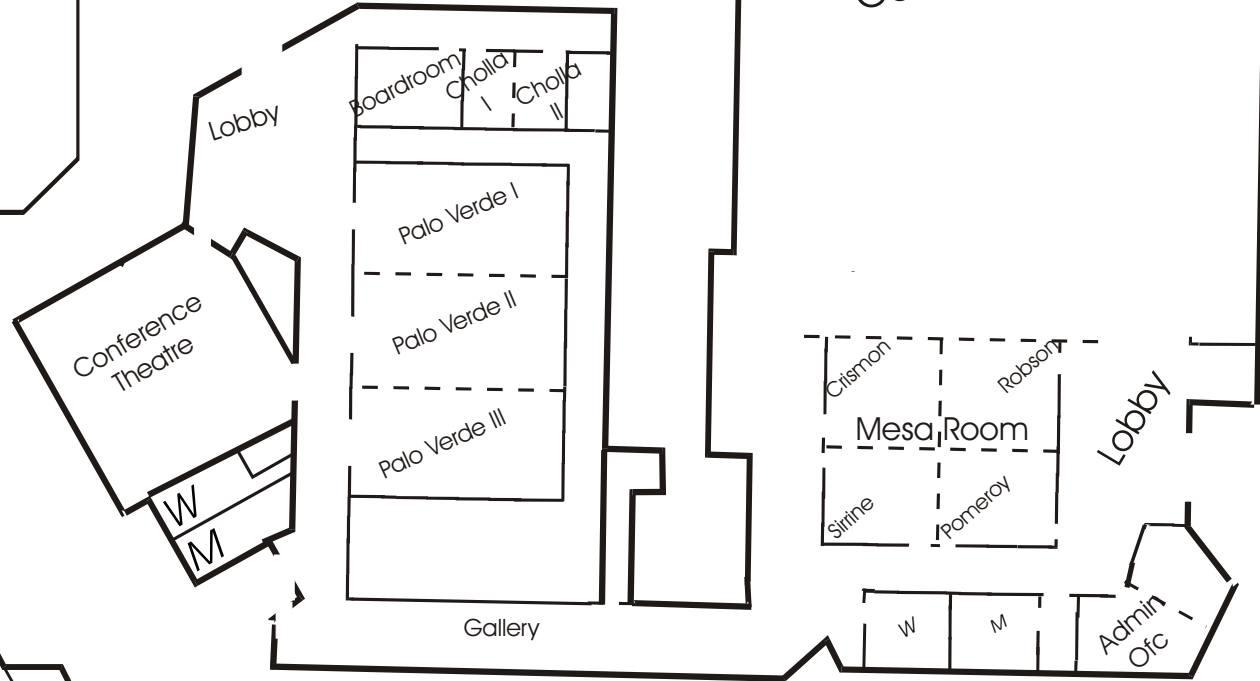




Mesa Amphitheatre

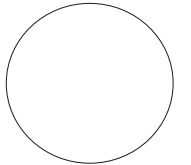


Building A



Building B

Building C



Gazebo  
Wedding Garden

Plaza



Mesa Convention Center